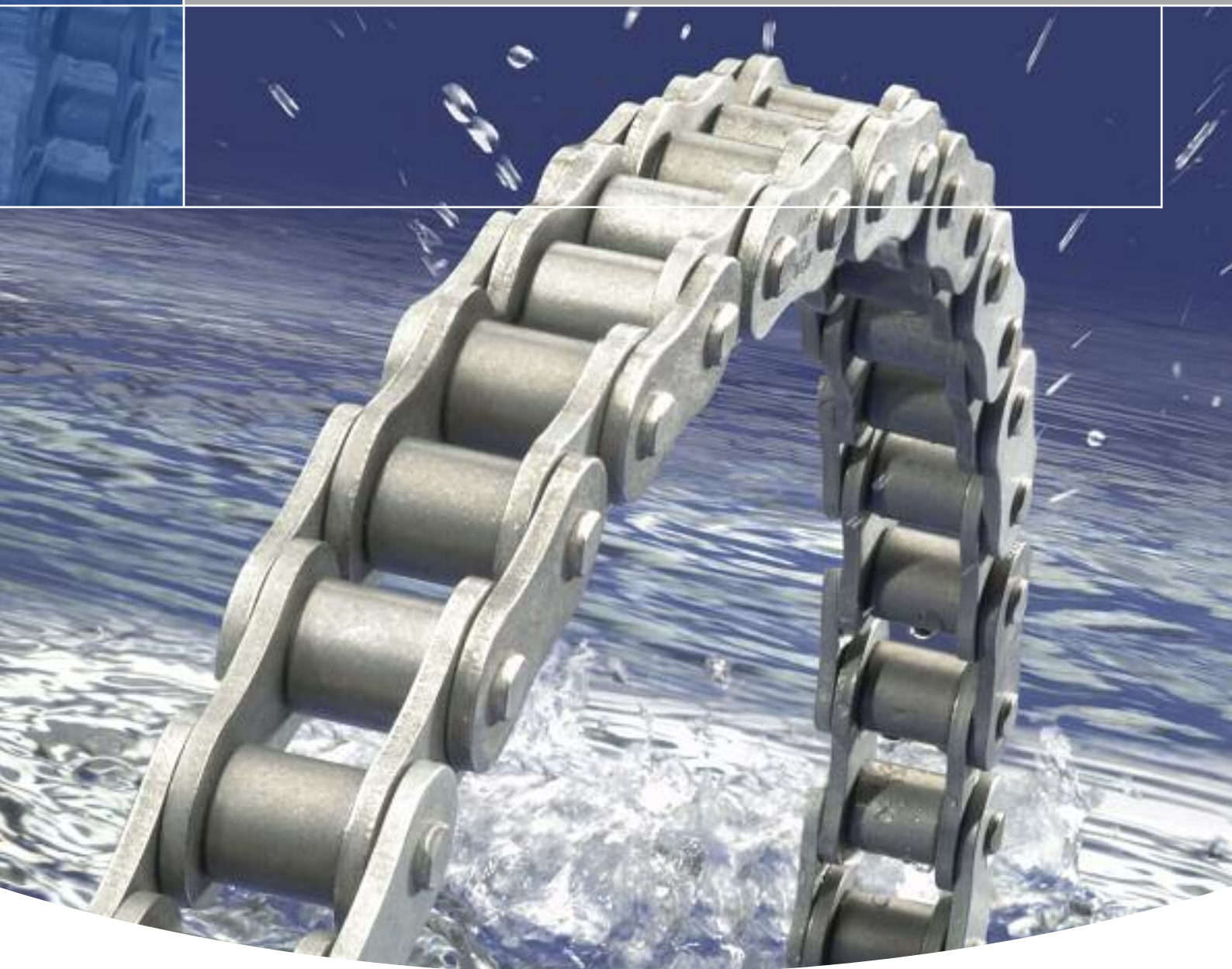


Hydro-Service[®]

Superior corrosion resistance for chain 优越的耐腐蚀链条



RENOLD

Superior Chain Technology

Renold Hydro-Service

Superior corrosion resistance for chain

优越的耐腐蚀链条

More and more applications demand chain that can withstand corrosion brought on by wash down or high moisture levels and the reassurance that the chain itself will not contaminate its immediate surroundings.

越来越多的应用需要链条可以在冲刷或高湿条件下防腐蚀，同时保证链条本身不会被周围物质污染。

With conventional plating processes prone to chipping, flaking or peeling, there has to be a tough, durable solution that has all the right qualities. That's where Renold Hydro-Service® comes in. 传统链板工艺容易剥落，分层或剥皮，总有一个强硬和耐用的链条处理方法，这就是Renold Hydro-Service®

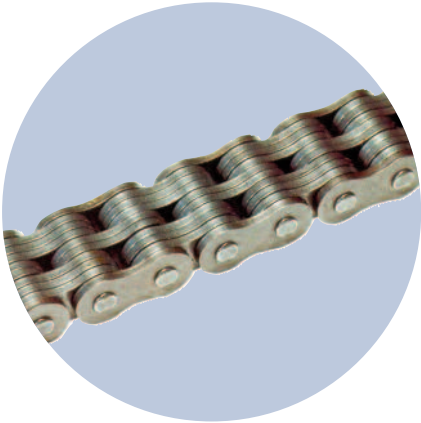
Hydro-Service® is designed to resist corrosion and has been heavily used in packaging, bottling, food processing and wash down environments. Renold Hydro-Service® is treated with a mechanical zinc plating process with additional coatings applied for extra corrosion protection. The corrosion resistance of this coating in many wet, humid, saltwater or other moisture-related applications is far superior to standard nickel or zinc plating.

Hydro-Service® 专为防腐蚀所设计，被广泛应用于包装、灌瓶、食品加工和冲洗环境。Renold Hydro-Service® 链板工艺是机械镀锌处理加上额外镀层能够加强防腐蚀保护。防腐蚀镀层在许多湿润，潮湿，盐水或其他与水分有关的应用远远优越于标准镀镍或镀锌链板链条。

Unlike some products treated in a similar way for corrosion resistance, Hydro-Service® chain is hexavalent chrome-free, ensuring that it is safe and also environmentally friendly. This coating can be applied to standard or adapted, European (BS) or ANSI chain.

与其他类似防的腐蚀处理产品不同，Hydro-Service® 链条不含六价铬，确保安全和保护环境。镀层可以适用于标准或带附件链条，欧洲(BS)或者ANSI链条。





Remember, Hydro-Service® corrosion protection is available on roller chain, conveyor chain or leaf chain, European (BS) or ANSI, adapted standard chain. 记住，Hydro-Service® 腐蚀保护适用于滚子链，输送链或板式链，欧洲 (BS) 或者，ANSI，带附件或标准链条

All components of the Hydro-Service® chain are treated prior to assembly in order to achieve full coverage and protection to all vital surfaces, not just external surfaces, ensuring a resistance to corrosion that's 30 times more effective than standard carbon steel chain. This helps to improve chain wear life and protect against corrosion-related pin and bush failures. Unlike conventional nickel or zinc platings, the Hydro-Service® treatment will not chip or peel. This extremely durable coating will continue to provide exceptional protection where other treatments fail.

所有Hydro-Service®链条零件都是在装配前进行过处理来达到覆盖和保护所有重要表面，不仅仅只是外面，确保防腐效果比一般碳钢链条高达30倍。这对提高链条磨损寿命和防止相关销轴和套筒腐蚀失效有所帮助。区别于传统镀镍或镀锌链板，Hydro-Service®处理不会剥落。超持久的镀层会持续提供特别保护而其他镀层处理早已失效。



Product features include: 产品特征包括：

- Excellent corrosion resistance 卓越的抗腐蚀性
- Hexavalent chrome-free 不含六价铬
- More than 30x the corrosion protection比传统表面处理 of conventional surface treatments 保护高达30倍
- No hydrogen embrittlement failures 无氢脆失效
- More economical than stainless steel chain 比不锈钢更经济
- Same strength and working load values as standard carbon steel chain 与标准碳钢链条相同强度和破断载荷力

Potential Applications 潜在应用

- Saltwater environments 盐水环境
- Meat and poultry processing plants 肉类和家禽类加工厂
- Vegetable processing plants 蔬菜加工厂
- Seafood processing plants 海鲜加工厂
- Beverage plants 饮料厂
- Washdown equipment 直冲式设备
- Outdoor applications 室外应用



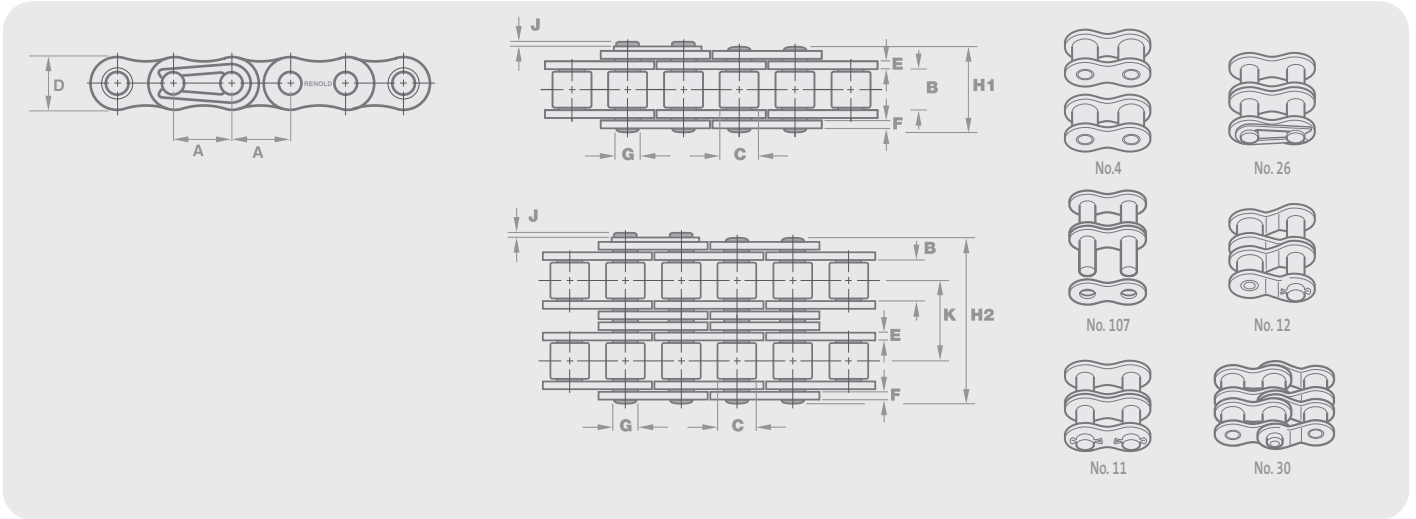
After 60 days of outdoor exposure Hydro-Service® demonstrates the rust resistance that makes it the best choice for outdoor use. 60天暴露在外，Hydro-Service® 显示出防锈性使他成为室外应用的更佳选择。



After 14 days in and out of a 5% saltwater solution (equivalent to sea water) it can be seen that the Hydro-Service® coating will extend the chain life compared to onventional nickel plating or carbon steel in more challenging applications. 14天在5%盐水（与海水相近）中浸入和浸出，可以看到在更具有挑战的应用中Hydro-Service® 镀层与其他传统镀镍链板或碳钢相比更可以延长链条寿命。

Hydro-Service

Standard Chain 标准链条



| Chain Ref. 链条编号 | | Technical Details (mm) 具体技术数据 (毫米) | | | | | | | | | | | | Connecting Links 连接链节 | | | | | | |
|-----------------------|----------------|------------------------------------|--------------------|-----------------------|-------------------------|-------------------------|------------------------------|------------------------------|----------------------|-----------------------|------------------------------------|----------------------------|--|-----------------------|-------|---------|--------|--------|--------|--------|
| Renold Chain No. 链条编号 | ISO Ref. ISO编号 | Pitch (inch) 节距 (英寸) | Pitch (mm) 节距 (毫米) | Inside Width 最小内宽 MIN | Roller Diam. 最大滚子直径 MAX | Plate Height 最大链板厚度 MAX | Plate Width Inner 最大内板厚度 MAX | Plate Width Outer 最大外板厚度 MAX | Pin Diam. 最大销轴直径 MAX | Pin Length 最大销轴长度 MAX | Conn. Link Extension 止锁件附件最大高度 MAX | Transverse Pitch 横向孔间距 NOM | ISO606 Tensile Strength 最小(Newtons) 拉力强度 MIN | Weight 重量 千克/米 kg/m | No. 4 | No. 107 | No. 11 | No. 26 | No. 12 | No. 30 |

European (BS) Standard - Simplex 欧洲(BS)标准 - 单排

| | | A | A | B | C | D | E | F | G | H1 | J | K | | | | | | | | | | |
|--------|-------|-------|--------|--------|--------|--------|-------|-------|--------|--------|-------|---|--------|-------|---|---|---|---|---|---|---|---|
| 06B1HS | 06B-1 | 0.375 | 9.525 | 5.720 | 6.350 | 8.260 | 1.300 | 1.040 | 3.280 | 13.500 | 3.300 | - | 8900 | 0.390 | 3 | 3 | - | 3 | - | 3 | - | 3 |
| 08B1HS | 08B-1 | 0.500 | 12.700 | 7.750 | 8.510 | 11.810 | 1.550 | 1.550 | 4.450 | 17.000 | 3.900 | - | 17800 | 0.700 | 3 | 3 | - | 3 | - | 3 | - | 3 |
| 10B1HS | 10B-1 | 0.625 | 15.875 | 9.650 | 10.160 | 14.730 | 1.550 | 1.550 | 5.080 | 18.800 | 1.300 | - | 22200 | 0.920 | 3 | 3 | - | 3 | - | 3 | - | 3 |
| 12B1HS | 12B-1 | 0.750 | 19.050 | 11.680 | 12.070 | 16.130 | 1.800 | 1.800 | 5.720 | 21.900 | 1.100 | - | 28900 | 1.200 | 3 | 3 | - | 3 | - | 3 | - | 3 |
| 16B1HS | 16B-1 | 1.000 | 25.400 | 17.020 | 15.880 | 21.080 | 4.120 | 3.100 | 8.280 | 36.100 | 5.400 | - | 60000 | 2.800 | 3 | 3 | - | 3 | 3 | 3 | - | - |
| 20B1HS | 20B-1 | 1.250 | 31.750 | 19.560 | 19.050 | 26.420 | 4.620 | 3.610 | 10.190 | 43.200 | 6.100 | - | 95000 | 3.850 | 3 | 3 | - | 3 | 3 | 3 | - | - |
| 24B1HS | 24B-1 | 1.500 | 38.100 | 25.400 | 25.400 | 33.400 | 6.100 | 5.080 | 14.630 | 53.400 | 6.600 | - | 160000 | 7.450 | 3 | 3 | 3 | - | 3 | 3 | - | - |

European (BS) Standard - Duplex 欧洲(BS)标准 - 双排

| | | A | A | B | C | D | E | F | G | H2 | J | K | | | | | | | | | | |
|--------|-------|-------|--------|--------|--------|--------|-------|-------|--------|---------|-------|--------|--------|--------|---|---|---|---|---|---|---|---|
| 06B2HS | 06B-2 | 0.375 | 9.525 | 5.720 | 6.350 | 8.260 | 1.300 | 1.040 | 3.280 | 23.000 | 1.300 | 10.240 | 16900 | 0.740 | 3 | 3 | - | 3 | - | 3 | - | 3 |
| 08B2HS | 08B-2 | 0.500 | 12.700 | 7.750 | 8.510 | 11.810 | 1.550 | 1.550 | 4.450 | 30.400 | 1.500 | 13.920 | 31100 | 1.380 | 3 | 3 | - | 3 | - | 3 | - | 3 |
| 10B2HS | 10B-2 | 0.625 | 15.875 | 9.650 | 10.160 | 14.730 | 1.550 | 1.550 | 5.080 | 35.400 | 1.300 | 16.590 | 44500 | 1.800 | 3 | 3 | - | 3 | - | 3 | - | 3 |
| 12B2HS | 12B-2 | 0.750 | 19.050 | 11.680 | 12.070 | 16.130 | 1.800 | 1.800 | 5.720 | 41.400 | 1.100 | 19.460 | 57800 | 2.400 | 3 | 3 | - | 3 | - | 3 | - | 3 |
| 16B2HS | 16B-2 | 1.000 | 25.400 | 17.020 | 15.880 | 21.080 | 4.120 | 3.100 | 8.280 | 68.000 | 5.400 | 31.880 | 106000 | 5.500 | 3 | 3 | - | 3 | 3 | 3 | - | - |
| 20B2HS | 20B-2 | 1.250 | 31.750 | 19.560 | 19.050 | 26.420 | 4.620 | 3.610 | 10.190 | 76.700 | 2.700 | 36.450 | 170000 | 7.800 | 3 | 3 | - | 3 | 3 | 3 | - | - |
| 24B2HS | 24B-2 | 1.500 | 38.100 | 25.400 | 25.400 | 33.400 | 6.100 | 5.080 | 14.630 | 101.300 | 6.800 | 48.360 | 280000 | 14.800 | 3 | 3 | 3 | - | 3 | 3 | - | - |

| Chain Ref. 链条编号 | | Technical Details (mm) 具体技术数据 (毫米) | | | | | | | | | | | | Connecting Links 连接链节 | | | | | | | |
|-----------------------|-----------------|------------------------------------|--------------------|-----------------------|-------------------------|-------------------------|------------------------------|------------------------------|----------------------|-----------------------|------------------------------------|----------------------------|--|-----------------------|-------|---------|--------|--------|--------|--------|--------|
| Renold Chain No. 链条编号 | ANSI Ref. ISO编号 | Pitch (inch) 节距 (英寸) | Pitch (mm) 节距 (毫米) | Inside Width 最小内宽 MIN | Roller Diam. 最大滚子直径 MAX | Plate Height 最大链板厚度 MAX | Plate Width Inner 最大内板厚度 MAX | Plate Width Outer 最大外板厚度 MAX | Pin Diam. 最大销轴直径 MAX | Pin Length 最大销轴长度 MAX | Conn. Link Extension 止锁件附件最大高度 MAX | Transverse Pitch 横向孔间距 NOM | ISO606 Tensile Strength 最小(Newtons) 拉力强度 MIN | Weight 重量 千克/米 kg/m | No. 4 | No. 107 | No. 11 | No. 26 | No. 58 | No. 12 | No. 30 |

ANSI Standard - Simplex ANSI标准 - 单排

| | | A | A | B | C | D | E | F | G | H1 | J | K | | | | | | | | | | |
|---------|-------|-------|--------|--------|--------|--------|-------|-------|--------|--------|-------|---|--------|-------|---|---|---|---|---|---|---|---|
| 25A1HS | 25-1 | 0.250 | 6.350 | 3.100 | 3.300 | 5.900 | 0.760 | 0.760 | 2.300 | 7.900 | 2.200 | - | 3500 | 0.130 | 3 | 3 | - | 3 | - | - | - | 3 |
| 35A1HS | 35-1 | 0.375 | 9.525 | 4.680 | 5.080 | 9.050 | 1.300 | 1.300 | 3.590 | 12.000 | 1.100 | - | 7900 | 0.330 | 3 | 3 | - | 3 | - | - | - | 3 |
| 40A1HS | 40-1 | 0.500 | 12.700 | 7.850 | 7.920 | 12.070 | 1.550 | 1.550 | 3.980 | 16.400 | 1.400 | - | 13900 | 0.600 | 3 | 3 | 3 | 3 | - | - | - | 3 |
| 50A1HS | 50-1 | 0.625 | 15.875 | 9.400 | 10.160 | 15.090 | 2.030 | 2.030 | 5.090 | 20.400 | 1.100 | - | 21800 | 1.000 | 3 | 3 | 3 | 3 | - | - | - | 3 |
| 60A1HS | 60-1 | 0.750 | 19.050 | 12.570 | 11.910 | 18.100 | 2.390 | 2.390 | 5.960 | 25.300 | 1.100 | - | 31300 | 1.470 | 3 | 3 | 3 | 3 | - | - | - | 3 |
| 80A1HS | 80-1 | 1.000 | 25.400 | 15.750 | 15.880 | 24.130 | 3.250 | 3.250 | 7.940 | 32.700 | 3.000 | - | 55600 | 2.800 | 3 | 3 | 3 | 3 | - | 3 | 3 | - |
| 100A1HS | 100-1 | 1.250 | 31.750 | 18.900 | 19.050 | 30.170 | 4.060 | 4.060 | 9.540 | 39.700 | 4.200 | - | 87000 | 4.200 | 3 | 3 | 3 | 3 | - | 3 | 3 | - |
| 120A1HS | 120-1 | 1.500 | 38.100 | 25.230 | 22.230 | 36.200 | 4.800 | 4.800 | 11.110 | 49.300 | 5.300 | - | 125000 | 5.700 | 3 | 3 | 3 | 3 | - | 3 | 3 | - |

ANSI Standard - Duplex ANSI标准 - 双排

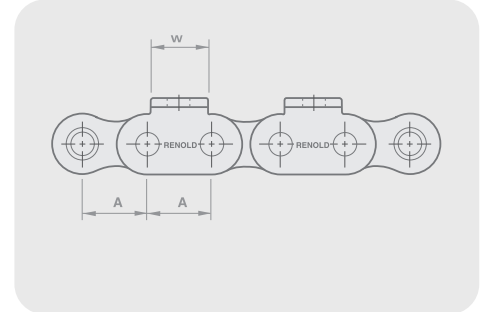
| | | A | A | B | C | D | E | F | G | H2 | J | K | | | | | | | | | | |
|---------|-------|-------|--------|--------|--------|--------|-------|-------|--------|--------|-------|--------|--------|--------|---|---|---|---|---|---|---|---|
| 25A2HS | 25-2 | 0.250 | 6.350 | 3.100 | 3.300 | 6.020 | 0.760 | 0.760 | 2.300 | 15.500 | 2.200 | 6.400 | 7000 | 0.260 | 3 | 3 | - | 3 | - | - | - | 3 |
| 35A2HS | 35-2 | 0.375 | 9.525 | 4.680 | 5.080 | 9.050 | 1.300 | 1.300 | 3.590 | 22.200 | 1.100 | 10.130 | 15800 | 0.650 | 3 | 3 | - | 3 | - | - | - | 3 |
| 40A2HS | 40-2 | 0.500 | 12.700 | 7.850 | 7.920 | 12.070 | 1.550 | 1.550 | 3.980 | 30.800 | 1.400 | 14.380 | 27800 | 1.200 | 3 | 3 | 3 | 3 | - | - | - | 3 |
| 50A2HS | 50-2 | 0.625 | 15.875 | 9.400 | 10.160 | 15.090 | 2.030 | 2.030 | 5.090 | 38.400 | 1.100 | 18.110 | 43600 | 2.100 | 3 | 3 | 3 | 3 | - | - | - | 3 |
| 60A2HS | 60-2 | 0.750 | 19.050 | 12.570 | 11.910 | 18.100 | 2.390 | 2.390 | 5.960 | 48.100 | 1.100 | 22.780 | 62600 | 3.050 | 3 | 3 | 3 | 3 | - | - | - | 3 |
| 80A2HS | 80-2 | 1.000 | 25.400 | 15.750 | 15.880 | 24.130 | 3.250 | 3.250 | 7.940 | 61.900 | 3.000 | 29.290 | 111200 | 5.500 | 3 | 3 | 3 | 3 | - | 3 | 3 | - |
| 100A2HS | 100-2 | 1.250 | 31.750 | 18.900 | 19.050 | 30.170 | 4.060 | 4.060 | 9.540 | 75.400 | 4.200 | 35.760 | 174000 | 8.400 | 3 | 3 | 3 | 3 | - | 3 | 3 | - |
| 120A2HS | 120-2 | 1.500 | 38.100 | 25.230 | 22.230 | 36.200 | 4.800 | 4.800 | 11.110 | 94.700 | 5.300 | 45.440 | 250000 | 11.000 | 3 | 3 | 3 | 3 | - | 3 | 3 | - |

Hydro-Service

Standard Chain Attachments 标准链条附件

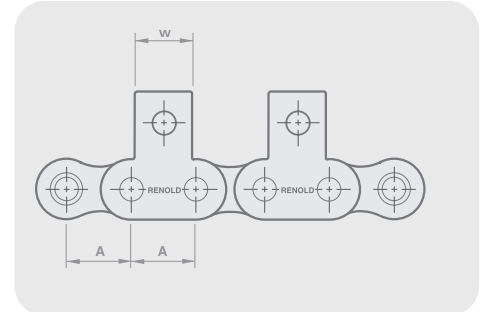
European (BS) K1 attachments 欧洲(BS)K1 附件

| Technical Details (mm) 具体技术数据(毫米) | | | | | | | | | | |
|-----------------------------------|---------------------------|-------------------------|-------|-------|--------|--------|--------|--------|--------|---------|
| Chain No. 链条编号 | Pitch (inch) 节距(英寸) | Pitch (mm) 节距(毫米) | | | | | | | | |
| | A | A | E | F | w | h | d | g | T | U |
| 06B | 0.375 | 9.525 | 1.250 | 1.000 | 8.000 | 6.700 | 3.300 | 4.100 | 19.600 | 28.500 |
| 08B | 0.500 | 12.700 | 1.510 | 1.510 | 11.000 | 8.900 | 4.300 | 5.900 | 25.400 | 41.700 |
| 10B | 0.625 | 15.875 | 1.510 | 1.510 | 14.000 | 10.300 | 5.300 | 6.800 | 31.800 | 49.600 |
| 12B | 0.750 | 19.050 | 1.760 | 1.760 | 18.000 | 13.500 | 6.600 | 8.100 | 38.100 | 52.700 |
| 16B | 1.000 | 25.400 | 3.700 | 3.000 | 24.000 | 15.900 | 6.600 | 10.500 | 50.800 | 85.600 |
| 20B | 1.250 | 31.750 | 4.400 | 3.500 | 30.000 | 19.900 | 8.400 | 13.200 | 63.500 | 101.100 |
| 24B | 1.500 | 38.100 | 5.400 | 5.000 | 36.000 | 28.000 | 10.500 | 16.700 | 88.000 | 124.700 |



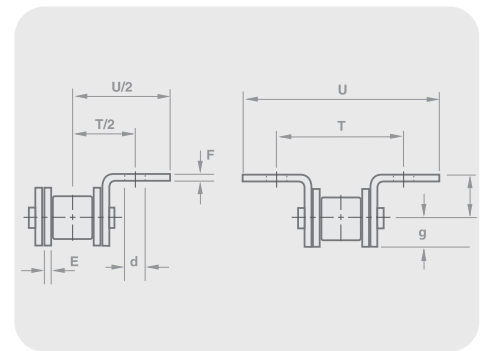
European (BS) M1 attachments 欧洲(BS)M1 附件

| Technical Details (mm) 具体技术数据(毫米) | | | | | | | | | | |
|-----------------------------------|---------------------------|-------------------------|-------|-------|--------|--------|--------|--------|--------|--|
| Chain No. 链条编号 | Pitch (inch) 节距(英寸) | Pitch (mm) 节距(毫米) | | | | | | | | |
| | A | A | E | F | w | e | f | d | g | |
| 06B | 0.375 | 9.525 | 1.250 | 1.000 | 8.000 | 14.500 | 10.100 | 3.300 | 4.100 | |
| 08B | 0.500 | 12.700 | 1.510 | 1.510 | 11.000 | 20.800 | 13.000 | 4.300 | 5.900 | |
| 10B | 0.625 | 15.875 | 1.510 | 1.510 | 14.000 | 24.900 | 16.500 | 5.300 | 6.800 | |
| 12B | 0.750 | 19.050 | 1.760 | 1.760 | 18.000 | 28.200 | 21.000 | 6.600 | 8.100 | |
| 16B | 1.000 | 25.400 | 3.700 | 3.000 | 24.000 | 39.700 | 23.000 | 6.600 | 10.500 | |
| 20B | 1.250 | 31.750 | 4.400 | 3.500 | 30.000 | 47.500 | 30.500 | 8.400 | 13.200 | |
| 24B | 1.500 | 38.100 | 5.400 | 5.000 | 36.000 | 61.500 | 42.700 | 10.500 | 16.700 | |



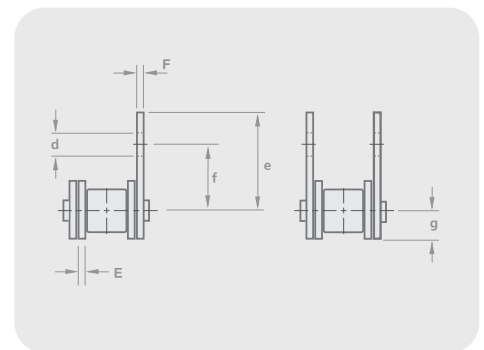
ANSI standard K1 attachments ANSI标准K1 附件

| Technical Details (mm) 具体技术数据(毫米) | | | | | | | | | | |
|-----------------------------------|---------------------------|-------------------------|-------|-------|--------|--------|--------|--------|---------|---------|
| Chain No. 链条编号 | Pitch (inch) 节距(英寸) | Pitch (mm) 节距(毫米) | | | | | | | | |
| | A | A | E | F | w | h | d | g | T | U |
| 35 | 0.375 | 9.525 | 1.270 | 1.270 | 8.001 | 6.350 | 2.794 | 4.318 | 19.050 | 28.194 |
| 40 | 0.500 | 12.700 | 1.521 | 1.521 | 9.507 | 7.906 | 3.202 | 6.015 | 25.319 | 35.327 |
| 50 | 0.625 | 15.875 | 2.032 | 2.032 | 12.710 | 10.308 | 5.204 | 7.546 | 31.824 | 46.055 |
| 60 | 0.750 | 19.050 | 2.392 | 2.392 | 15.912 | 12.149 | 5.204 | 9.047 | 38.129 | 54.271 |
| 80 | 1.000 | 25.400 | 3.152 | 3.152 | 19.064 | 15.887 | 6.735 | 11.439 | 50.839 | 70.133 |
| 100 | 1.250 | 31.750 | 3.962 | 3.962 | 25.400 | 19.837 | 8.357 | 14.808 | 63.500 | 86.665 |
| 120 | 1.500 | 38.100 | 4.673 | 4.673 | 28.778 | 23.012 | 10.363 | 17.424 | 76.200 | 111.887 |
| 140 | 1.750 | 44.450 | 5.563 | 5.563 | 34.925 | 28.575 | 11.913 | 20.447 | 88.900 | 126.238 |
| 160 | 2.000 | 50.800 | 6.350 | 6.350 | 38.100 | 31.750 | 13.894 | 23.368 | 101.600 | 143.662 |



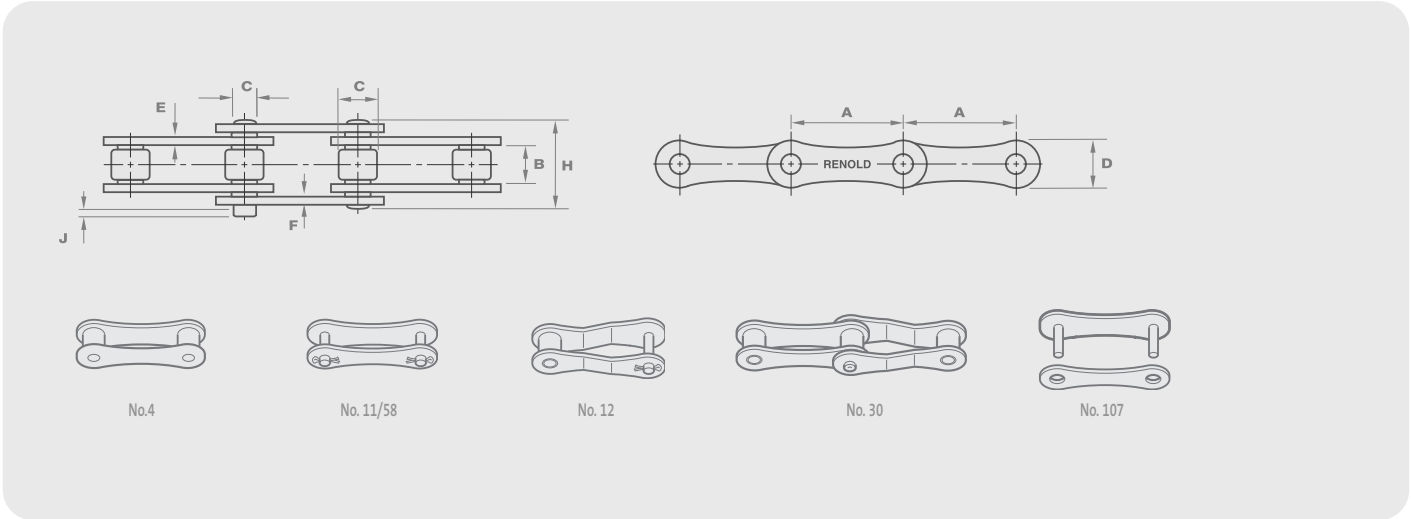
ANSI standard M1 attachments ANSI标准M1 附件

| Technical Details (mm) 具体技术数据(毫米) | | | | | | | | | | |
|-----------------------------------|---------------------------|-------------------------|-------|-------|--------|--------|--------|--------|--------|--|
| Chain No. 链条编号 | Pitch (inch) 节距(英寸) | Pitch (mm) 节距(毫米) | | | | | | | | |
| | A | A | E | F | w | e | f | d | g | |
| 35 | 0.375 | 9.525 | 1.270 | 1.270 | 8.001 | 14.503 | 9.525 | 2.819 | 4.318 | |
| 40 | 0.500 | 12.700 | 1.521 | 1.521 | 9.507 | 17.413 | 12.429 | 3.202 | 6.015 | |
| 50 | 0.625 | 15.875 | 2.032 | 2.032 | 12.710 | 22.747 | 15.712 | 5.204 | 7.546 | |
| 60 | 0.750 | 19.050 | 2.392 | 2.392 | 15.912 | 26.380 | 18.204 | 5.204 | 9.047 | |
| 80 | 1.000 | 25.400 | 3.152 | 3.152 | 19.064 | 34.316 | 24.609 | 6.735 | 11.439 | |
| 100 | 1.250 | 31.750 | 3.988 | 3.988 | 25.400 | 43.180 | 31.750 | 8.357 | 14.808 | |
| 120 | 1.500 | 38.100 | 4.674 | 4.674 | 28.778 | 53.061 | 36.500 | 10.363 | 17.424 | |
| 140 | 1.750 | 44.450 | 5.563 | 5.563 | 34.925 | 63.094 | 44.450 | 12.598 | 20.447 | |
| 160 | 2.000 | 50.800 | 6.350 | 6.350 | 38.100 | 69.444 | 50.800 | 13.893 | 23.368 | |



Hydro-Service

Standard Double Pitch Chain 标准双节距链条



| Chain Ref. 链条编号 | | Technical Details (mm) 具体技术数据 (毫米) | | | | | | | | | | | | | Connecting Links 连接链节 | | | | | |
|--------------------------|-------------------|------------------------------------|-----------------------|-----------------------------|-------------------------------|-------------------------------|------------------------------------|------------------------------------|----------------------------|-----------------------------|--|----------------------------------|--|------------------------------|-----------------------|---------|--------|--------|--------|--------|
| Renold Chain No. 链条编号 | ISO Ref. ISO编号 | Pitch (inch) 节距 (英寸) | Pitch (mm) 节距 (毫米) | Inside Width 最小内宽 MIN | Roller Diam. 最大滚子直径 MAX | Plate Height 最大链板宽度 MAX | Plate Width Inner 最大内板厚度 MAX | Plate Width Outer 最大外板厚度 MAX | Pin Diam. 最大销轴直径 MAX | Pin Length 最大销轴长度 MAX | Conn. Link Extension 止锁件附件最大高度 MAX | Transverse Pitch 横向孔间距 NOM | ISO606 Tensile Strength 最小(Newtons) 拉力强度 MIN | Weight 重量 千克/米 kg/m | No. 4 | No. 107 | No. 11 | No. 12 | No. 30 | No. 58 |

European (BS) Standard Double Pitch Chain - Conveyor Series 欧洲(BS)标准双节距链条 - 输送系列

| | | A | A | B | C | D | E | F | G | H1 | J | K | | | | | | | | | |
|--------|------|-------|--------|--------|--------|--------|-------|-------|-------|--------|-------|---|-------|-------|---|---|---|---|---|---|--|
| 533083 | 208B | 1.000 | 25.400 | 7.750 | 8.510 | 11.430 | 1.550 | 1.550 | 4.450 | 16.600 | 3.900 | - | 17800 | 0.530 | 3 | 3 | 3 | - | 3 | - | |
| 533103 | 210B | 1.250 | 31.750 | 9.650 | 10.160 | 13.720 | 1.550 | 1.550 | 5.080 | 19.600 | 4.100 | - | 22200 | 0.660 | 3 | 3 | 3 | - | 3 | - | |
| 533123 | 212B | 1.500 | 38.100 | 11.680 | 12.070 | 15.880 | 1.800 | 1.800 | 5.720 | 22.700 | 4.600 | - | 28900 | 0.900 | 3 | 3 | 3 | - | 3 | - | |

European (BS) Standard Double Pitch Chain - Drive Series 欧洲(BS)标准双节距链条 - 驱动系列

| | | A | A | B | C | D | E | F | G | H2 | J | K | | | | | | | | | |
|--------|--------|-------|---------|--------|--------|--------|-------|-------|--------|--------|-------|--------|-------|---|---|---|---|---|---|--|--|
| 533168 | 216B-1 | 2.000 | 50.800 | 17.020 | 15.880 | 20.830 | 4.120 | 3.100 | 8.280 | 36.100 | 5.400 | 60000 | 1.800 | 3 | 3 | 3 | - | 3 | - | | |
| 533203 | 220B-1 | 2.500 | 63.500 | 19.560 | 19.050 | 24.640 | 4.620 | 3.610 | 10.190 | 43.200 | 6.100 | 98070 | 2.450 | 3 | 3 | 3 | 3 | - | - | | |
| 533243 | 224B-1 | 3.000 | 76.200 | 25.400 | 25.400 | 33.530 | 6.100 | 5.080 | 14.630 | 53.400 | 6.600 | 160000 | 4.800 | 3 | 3 | 3 | 3 | - | - | | |
| 533323 | 232B-1 | 4.000 | 101.600 | 30.990 | 29.210 | 40.130 | 7.110 | 6.350 | 17.810 | 67.400 | 7.900 | 200000 | 5.950 | 3 | 3 | 3 | - | - | - | | |

| Chain Ref. 链条编号 | | Technical Details (mm) 具体技术数据 (毫米) | | | | | | | | | | | | | Connecting Links 连接链节 | | | | | |
|--------------------------|-------------------|------------------------------------|-----------------------|-----------------------------|-------------------------------|-------------------------------|------------------------------------|------------------------------------|----------------------------|-----------------------------|--|----------------------------------|--|------------------------------|-----------------------|---------|--------|--------|--------|--------|
| Renold Chain No. 链条编号 | ISO Ref. ISO编号 | Pitch (inch) 节距 (英寸) | Pitch (mm) 节距 (毫米) | Inside Width 最小内宽 MIN | Roller Diam. 最大滚子直径 MAX | Plate Height 最大链板宽度 MAX | Plate Width Inner 最大内板厚度 MAX | Plate Width Outer 最大外板厚度 MAX | Pin Diam. 最大销轴直径 MAX | Pin Length 最大销轴长度 MAX | Conn. Link Extension 止锁件附件最大高度 MAX | Transverse Pitch 横向孔间距 NOM | ISO606 Tensile Strength 最小(Newtons) 拉力强度 MIN | Weight 重量 千克/米 kg/m | No. 4 | No. 107 | No. 11 | No. 12 | No. 30 | No. 58 |

ANSI Standard Double Pitch Chain - Conveyor Series Standard Roller ANSI标准双节距链条 - 输送系列标准滚子

| | | A | A | B | C | D | E | F | G | H1 | J | K | | | | | | | | | |
|---------|------|-------|---------|--------|--------|--------|-------|-------|--------|--------|-------|---|--------|-------|---|---|---|---|---|---|--|
| C2040HS | 2040 | 1.000 | 25.400 | 7.850 | 7.950 | 11.800 | 1.500 | 1.500 | 3.970 | 16.400 | 3.900 | - | 14100 | 0.500 | 3 | 3 | 3 | 3 | - | 3 | |
| C2050HS | 2050 | 1.250 | 31.750 | 9.400 | 10.160 | 15.000 | 2.000 | 2.000 | 5.080 | 20.400 | 4.100 | - | 22200 | 0.840 | 3 | 3 | 3 | 3 | - | 3 | |
| C2060HS | 2060 | 1.500 | 38.100 | 12.570 | 11.910 | 17.800 | 3.170 | 3.170 | 5.950 | 28.600 | 4.600 | - | 38000 | 1.440 | 3 | 3 | 3 | 3 | - | 3 | |
| C2080HS | 2080 | 2.000 | 50.800 | 15.750 | 15.880 | 22.300 | 4.000 | 4.000 | 7.920 | 35.800 | 5.400 | - | 65000 | 2.350 | 3 | 3 | 3 | 3 | - | 3 | |
| C2100HS | 2100 | 2.500 | 63.500 | 19.000 | 19.050 | 28.800 | 4.750 | 4.750 | 9.540 | 42.400 | 4.300 | - | 137000 | 3.470 | 3 | 3 | 3 | 3 | - | 3 | |
| C2120HS | 2120 | 3.000 | 76.200 | 25.400 | 22.230 | 35.100 | 5.610 | 5.610 | 11.110 | 52.400 | 5.300 | - | 185900 | 4.930 | 3 | 3 | 3 | 3 | - | 3 | |
| C2160HS | 2160 | 4.000 | 101.600 | 31.500 | 28.580 | 47.900 | 7.300 | 7.300 | 14.290 | 65.600 | 6.700 | - | 305500 | 8.000 | 3 | 3 | 3 | 3 | - | 3 | |

ANSI Standard Double Pitch Chain - Conveyor Series Large Roller ANSI标准双节距链条 - 输送系列大滚子

| | | A | A | B | C | D | E | F | G | H2 | J | K | | | | | | | | | |
|---------|-------|-------|---------|--------|--------|--------|-------|-------|--------|--------|-------|---|--------|--------|---|---|---|---|---|---|--|
| C2042HS | 2042 | 1.000 | 25.400 | 7.850 | 15.880 | 11.800 | 1.500 | 1.500 | 3.970 | 16.400 | 3.900 | - | 14100 | 0.820 | 3 | 3 | 3 | 3 | - | 3 | |
| C2052HS | 2052 | 1.250 | 31.750 | 9.400 | 19.050 | 15.000 | 2.000 | 2.000 | 5.090 | 20.400 | 4.100 | - | 22200 | 1.260 | 3 | 3 | 3 | 3 | - | 3 | |
| C2062HS | 2062H | 1.500 | 38.100 | 12.570 | 22.230 | 17.800 | 3.170 | 3.170 | 5.950 | 28.600 | 4.600 | - | 38000 | 2.030 | 3 | 3 | 3 | 3 | - | 3 | |
| C2082HS | 2082H | 2.000 | 50.800 | 15.750 | 28.580 | 22.300 | 4.000 | 4.000 | 7.920 | 35.800 | 5.400 | - | 65000 | 3.360 | 3 | 3 | 3 | 3 | - | 3 | |
| C2102HS | 2102 | 2.500 | 63.500 | 19.000 | 39.670 | 28.800 | 4.750 | 4.750 | 9.540 | 42.400 | 4.300 | - | 137000 | 5.650 | 3 | 3 | 3 | 3 | - | 3 | |
| C2122HS | 2122H | 3.000 | 76.200 | 25.400 | 44.450 | 35.100 | 5.610 | 5.610 | 11.110 | 52.400 | 5.300 | - | 185900 | 7.900 | 3 | 3 | 3 | 3 | - | 3 | |
| C2162HS | 2162H | 4.000 | 101.600 | 31.500 | 57.150 | 47.900 | 7.300 | 7.300 | 14.290 | 65.600 | 6.700 | - | 305500 | 12.800 | 3 | 3 | 3 | 3 | - | 3 | |

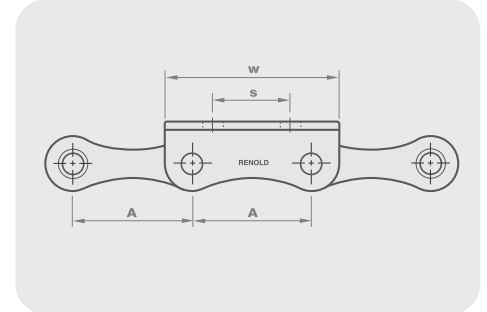
Hydro-Service

Standard Double Pitch Chain Attachments 标准双节距链条附件

European (BS) K1 attachments 欧洲(BS)K1 附件

Technical Details (mm) 具体技术数据(毫米)

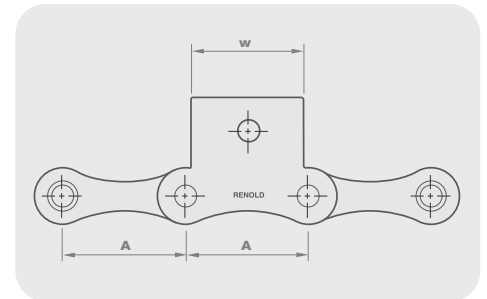
| Chain No. 链条编号 | Pitch (inch) 节距(英寸) | Pitch (mm) 节距(毫米) | | | | | | | | |
|-------------------|---------------------------|-------------------------|-------|-------|--------|--------|--------|--------|--------|---------|
| | A | A | E | F | w | h | d | g | T | U |
| 208B | 1.000 | 25.400 | 1.510 | 1.510 | 23.800 | 8.500 | 4.300 | 5.800 | 27.600 | 42.500 |
| 210B | 1.250 | 31.850 | 1.510 | 1.510 | 25.400 | 10.500 | 5.300 | 7.400 | 31.600 | 48.500 |
| 212B | 1.500 | 38.100 | 1.760 | 1.760 | 20.000 | 12.200 | 6.400 | 8.200 | 35.200 | 54.800 |
| 216B | 2.000 | 50.800 | 3.700 | 3.000 | 40.000 | 17.000 | 8.400 | 10.300 | 58.000 | 83.800 |
| 220B | 2.500 | 63.500 | 4.400 | 4.100 | 40.000 | 21.000 | 10.500 | 11.300 | 69.000 | 98.700 |
| 224B | 3.000 | 76.200 | 5.400 | 5.000 | 70.000 | 28.000 | 10.500 | 16.700 | 88.000 | 124.700 |
| 24B | 1.500 | 38.100 | 5.400 | 5.000 | 36.000 | 28.000 | 10.500 | 16.700 | 88.000 | 124.700 |



European (BS) M1 attachments 欧洲(BS)M1 附件

Technical Details (mm) 具体技术数据(毫米)

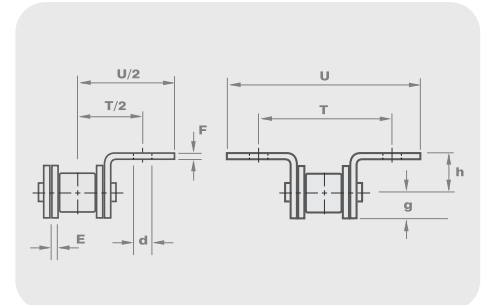
| Chain No. 链条编号 | Pitch (inch) 节距(英寸) | Pitch (mm) 节距(毫米) | | | | | | | |
|-------------------|---------------------------|-------------------------|-------|-------|--------|--------|--------|--------|--------|
| | A | A | E | F | w | e | f | d | g |
| 208B | 1.000 | 25.400 | 1.510 | 1.510 | 23.800 | 20.800 | 13.700 | 4.300 | 5.800 |
| 210B | 1.250 | 31.850 | 1.510 | 1.510 | 25.400 | 24.900 | 16.500 | 5.300 | 7.400 |
| 212B | 1.500 | 38.100 | 1.730 | 1.730 | 20.000 | 28.300 | 18.500 | 6.400 | 8.200 |
| 216B | 2.000 | 50.800 | 3.700 | 3.000 | 40.000 | 40.000 | 27.400 | 8.400 | 10.300 |
| 220B | 2.500 | 63.500 | 4.400 | 4.100 | 40.000 | 48.700 | 33.000 | 10.500 | 11.300 |
| 224B | 3.000 | 76.200 | 5.400 | 5.000 | 70.000 | 61.500 | 42.700 | 10.500 | 16.700 |



ANSI standard K1 attachments ANSI标准K1 附件

Technical Details (mm) 具体技术数据(毫米)

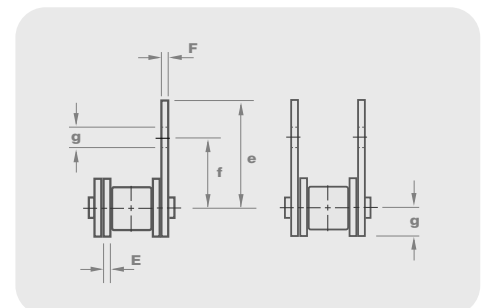
| Chain No. 链条编号 | Pitch (inch) 节距(英寸) | Pitch (mm) 节距(毫米) | | | | | | | |
|-------------------|---------------------------|-------------------------|-------|-------|--------|--------|--------|--------|--------|
| | A | A | E | F | w | e | f | d | g |
| C2040 | 1.000 | 25.400 | 1.524 | 1.524 | 19.050 | 19.888 | 11.100 | 5.309 | 5.740 |
| C2050 | 1.250 | 31.750 | 2.007 | 2.007 | 23.800 | 24.613 | 14.300 | 7.112 | 7.391 |
| C2060 | 1.500 | 38.100 | 3.175 | 3.175 | 28.600 | 30.201 | 17.501 | 8.407 | 8.788 |
| C2080 | 2.000 | 50.800 | 3.988 | 3.988 | 38.100 | 40.488 | 22.200 | 10.389 | 10.287 |
| C2100 | 2.500 | 63.500 | 4.750 | 4.750 | 47.625 | 50.394 | 31.750 | 13.894 | 14.300 |
| C2120 | 3.000 | 76.200 | 5.563 | 5.563 | 57.150 | 54.762 | 37.313 | 15.875 | 17.475 |
| C2160 | 4.000 | 101.600 | 7.137 | 7.137 | 76.200 | 76.200 | 50.800 | 21.031 | 23.825 |



ANSI standard M1 attachments ANSI标准M1 附件

Technical Details (mm) 具体技术数据(毫米)

| Chain No. 链条编号 | Pitch (inch) 节距(英寸) | Pitch (mm) 节距(毫米) | | | | | | | | |
|-------------------|---------------------------|-------------------------|-------|-------|--------|--------|--------|--------|--------|--------|
| | A | A | E | F | w | e | f | d | g | s |
| C2040 | 1.000 | 25.400 | 1.524 | 1.524 | 19.050 | 19.888 | 13.487 | 3.505 | 5.740 | 9.500 |
| C2050 | 1.250 | 31.750 | 2.007 | 2.007 | 23.800 | 24.613 | 15.900 | 5.309 | 7.391 | 11.913 |
| C2060 | 1.500 | 38.100 | 3.175 | 3.175 | 28.600 | 30.201 | 18.999 | 5.309 | 8.788 | 14.300 |
| C2080 | 2.000 | 50.800 | 3.988 | 3.988 | 38.100 | 40.488 | 25.400 | 7.112 | 10.287 | 18.999 |
| C2100 | 2.500 | 63.500 | 4.750 | 4.750 | 47.625 | 50.394 | 31.750 | 8.738 | 14.300 | 23.800 |
| C2120 | 3.000 | 76.200 | 5.563 | 5.563 | 57.150 | 54.762 | 37.313 | 10.312 | 17.475 | 28.575 |
| C2160 | 4.000 | 101.600 | 7.137 | 7.137 | 76.200 | 76.200 | 50.800 | 13.894 | 23.825 | 38.100 |



雷诺德传动机械（杭州）有限公司
Renold (Hangzhou) Co., Ltd

地址：浙江省杭州市萧山区义桥镇东方路82号

Email: Info.cn@renold.com

传真：0571 - 85779231

如需更多信息，请访问我们的网站

www.renold.com

如有疑问，请拨打客户服务热线

400-826-1915



Want to find out more?
Scan this QR code with your smartphone.
No QR reader? Simply download one from
your app store.

RENOLD
Superior Chain Technology