



Gearflex Couplings

[Brochure](#)

RENOLD | Couplings

Contents

Renold Couplings	3
Gearflex	4
Gearflex A series Double Engagement type DA	5
Gearflex A series Single Engagement type SA	6
Gearflex Heavy Duty B series Double Engagement type HDB	7
Gearflex Heavy Duty B series Single Engagement type HSB	8
Gearflex High Misalignment D series Double Engagement type DD	9
Gearflex High Misalignment D series Single Engagement type SD	10
Gearflex High Misalignment D series	11
Gearflex A series Double Engagement Flanged Spacer type DAFS	12
Gearflex Vertical Double Engagement type VA	13
Gearflex High Speed Double Engagement type NTS	14
Gearflex Interchange Information	15
Gearflex adapted and custom gear couplings	16
Global services	17



Innovation Everyday

Renold have been driving industry forward through innovation since 1879. Renold Couplings drives industry the world over, from marine, cranes and hoists to manufacture, mass transportation and the pulp and paper industry. Our couplings connect machines to machines through stock solutions and bespoke-crafted connections, all manufactured in our high-tech engineering factories.

Engineering capability

A team of in-house design engineers work to continuously improve the existing product range, introduce new products and deliver innovative new solutions to our customers' challenges.

British manufacturer

Since 1946 Renold Couplings have manufactured a full range of couplings and clutches.

Based in Cardiff, UK, we control the full design and manufacture process, bringing class leading quality and complete customer peace of mind.

Worldwide support

With manufacturing facilities in 4 continents and support offices in over 30 countries, Renold Couplings can offer service that understands the requirements and challenges of your particular market.

Availability

Renold Couplings holds significant stock of standard items and component parts both in our UK facility and with our partners around the world.

Controlling the full manufacturing process, Renold Couplings can deliver responsive lead times for manufactured parts.



Gearflex

Renold Gearflex consists of both standard ranges and customised special all-metal couplings, giving maximum power capacity with a minimum space envelope and excellent misalignment capacity.

Coupling capacity

- Maximum power @ 100RPM: 50,485kW
- Maximum torque: 4,747,000Nm

Applications

- General heavy industrial applications
- Crane drives
- Mining
- Steelworks



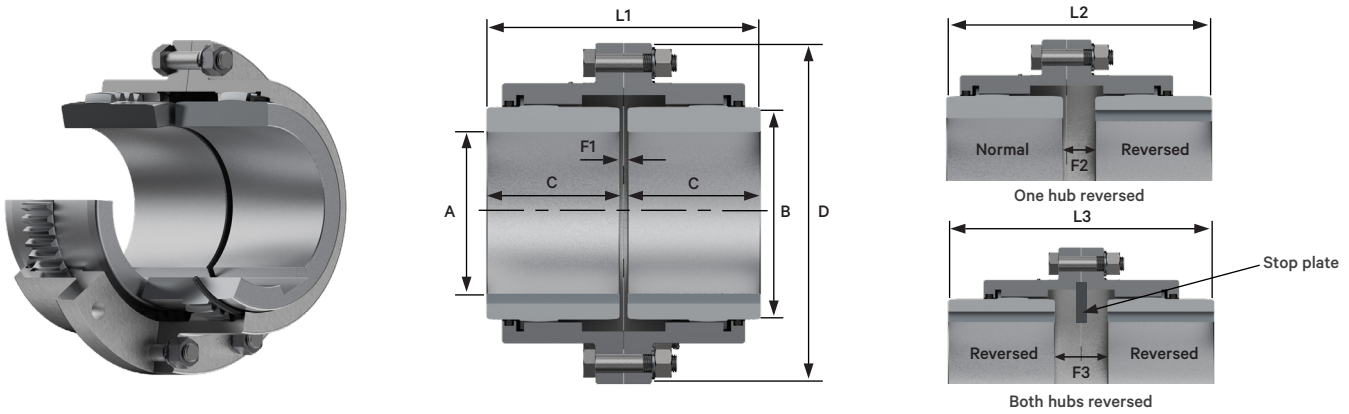
Range options

- A series AGMA standard double and single engagement
- B series heavy duty standard double and single engagement
- D series high misalignment double and single engagement
- V series vertical
- NTS high speed
- A series double engagement cardan shaft
- Brake Disc/Drum
- A series double engagement flanged spacer (DAFS)
- Dis-engaging
- Long Hub
- Croft MB Series
- Mill Motor
- Shear Pin
- Telescopic

Features and benefits

- Heavy duty, long life, high strength all carbon steel coupling
- Maximised power capacity within a given space envelope through optimised tooth design
- Interchangeable design – AGMA Standard Series and flange fixing design
- High misalignment range available up to 6 degrees
- Suits all application requirements – Single and Double Engagement types available
- Suitable for demanding applications – multiple design variations available

Gearflex A series double engagement type DA



Coupling size	Product number	Power /100rpm kW	Torque nominal Nm	Speed max** rpm	Bore A		Dimensions											Offset max mm
					Max mm	Min mm	B mm	C mm	D mm	F1 mm	F2 mm	F3 mm	L1 mm	L2 mm	L3 mm	Mass kg	WR ² kg m ²	
GF10DA	6901108	29.8	2846	7100	46	14	60	43	116	3	5	6	89	90	92	4.2	0.006	1.2
GF15DA	6901158	56.4	5386	5400	57	20	76	49	152	3	8	13	102	106	111	7.7	0.020	1.5
GF20DA	6901208	96	9168	4800	78	27	102	62	178	3	14	25	127	138	149	15.0	0.044	2.0
GF25DA	6901258	155.2	14822	4250	90	27	117	77	213	5	12	19	159	166	173	25.4	0.105	2.3
GF30DA	6901308	256	24448	4000	110	39	143	91	240	5	23	42	187	206	224	36.7	0.188	3.0
GF35DA	6901358	392	37436	3600	127	55	165	106	279	6	27	48	219	240	260	60.8	0.436	3.5
GF40DA	6901408	624	59592	3290	145	55	191	121	318	6	32	57	248	273	298	90.7	0.822	4.0
GF45DA	6901458	862	82322	2920	165	55	216	135	346	8	37	65	278	306	335	122	1.305	4.5
GF50DA	6901508	1156	110398	2630	185	55	241	153	389	8	50	92	314	356	398	178	2.550	5.3
GF55DA	6901558	1714	163688	2320	205	55	267	175	425	8	53	98	359	404	449	235	3.780	6.0
GF60DA	6901608	2192	209336	2120	225	55	292	188	457	8	60	111	384	436	487	279	4.860	6.5
GF70DA	6901708	3280	313240	1830	260	55	343	221	527	9	71	133	451	513	575	443	10.350	7.8

Misalignment angle per half (degrees)	Rating factor
0.00	1.00
0.50	0.78
0.75	0.65
1.00	0.58
1.50	0.50

Catalogue ratings shown are nominal values at 0.00° misalignment. To determine the rating at an expected angular misalignment, use the corresponding factor in the table and multiply.

Example:
 GF60DA at 0.00° = 209336 Nm
 at 0.75° = 209336 x 0.65 = 136068 Nm

Ordering code

GF 20 DA

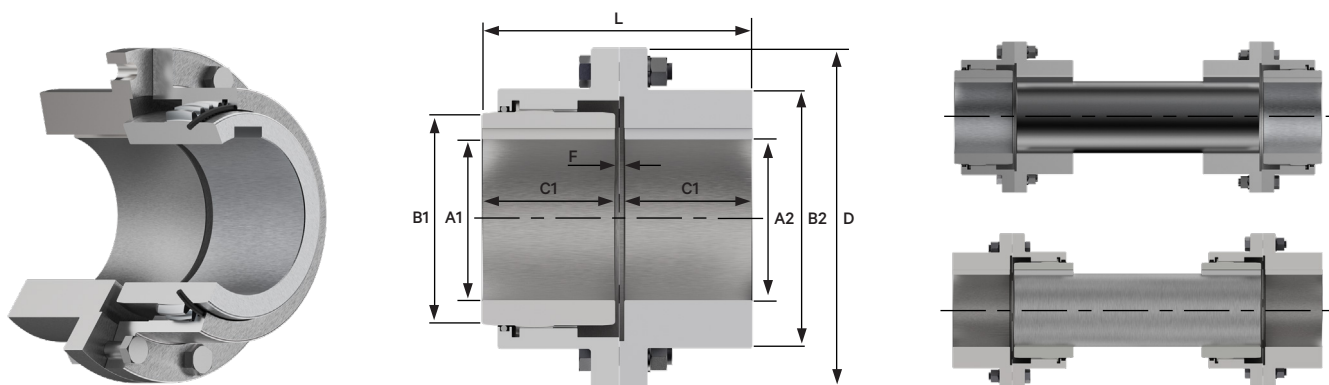
Gearflex ——— | ——— | Double engagement A series

Size

Long hub versions available, contact Renold for details.
 Please refer to the Renold Couplings selection guide for keyway stress calculations.

* Maximum Bore – The maximum bores shown are absolute maximums. Under normal circumstances the boss to bore ratio should not be less than 1.5 for standard applications. Consult Renold for overbore approval.
 ** Speed in excess of these shown may require additional balancing.
 *** Hubs may be reversed to increase DBSE (F2 + F3 above). If axial movement is allowed with both hubs reversed, a stop plate should be fitted to prevent hubs disengaging from outers.

Gearflex A series single engagement type SA



Coupling size	Product number	Power /100rpm kW	Torque nominal Nm	Speed max** rpm	Bore A1		Bore A2		Dimensions								
					Max* mm	Min mm	Max mm	Min mm	B1 mm	B2 mm	C1 mm	C2 mm	D mm	F mm	L mm	Mass kg	WR ² kg m ²
GF10SA	6908108	29.8	2846	7100	46	14	58	14	60	76	43	40	116	4	87	4.8	0.005
GF15SA	6908158	56.4	5386	5400	57	20	75	20	76	98	49	47	152	4	100	8.4	0.019
GF20SA	6908208	96	9168	4800	78	27	95	27	102	124	62	60	178	4	125	17.2	0.044
GF25SA	6908258	155.2	14822	4250	90	27	110	27	117	148	77	75	213	5	156	29.0	0.107
GF30SA	6908308	256	24448	4000	110	39	130	39	143	173	91	89	240	5	185	39.0	0.200
GF35SA	6908358	392	37436	3600	127	39	155	39	165	201	106	104	279	6	216	63.5	0.446
GF40SA	6908408	624	59592	3290	145	55	180	55	191	233	121	116	318	8	244	93.9	0.842
GF45SA	6908458	862	82322	2920	165	55	200	55	216	262	135	130	346	9	274	127	1.350
GF50SA	6908508	1156	110398	2630	185	55	225	55	241	294	153	148	389	9	310	186	2.800
GF55SA	6908558	1714	163688	2320	205	55	250	55	267	324	175	164	425	9	348	244	3.940
GF60SA	6908608	2192	209336	2120	225	55	265	55	292	349	188	182	457	10	380	299	5.130
GF70SA	6908708	3280	313240	1830	260	55	310	55	343	406	221	221	527	13	454	472	11.040

Misalignment angle per half (degrees)	Rating factor
0.00	1.00
0.50	0.78
0.75	0.65
1.00	0.58
1.50	0.50

Catalogue ratings shown are nominal values at 0.00° misalignment. To determine the rating at an expected angular misalignment, use the corresponding factor in the table and multiply.

Example:
 GF60DA at 0.00° = 209336 Nm
 at 0.75° = 209336 x 0.65 = 136068 Nm

Ordering code

GF 40 SA

Gearflex ——— | ——— Single engagement A series

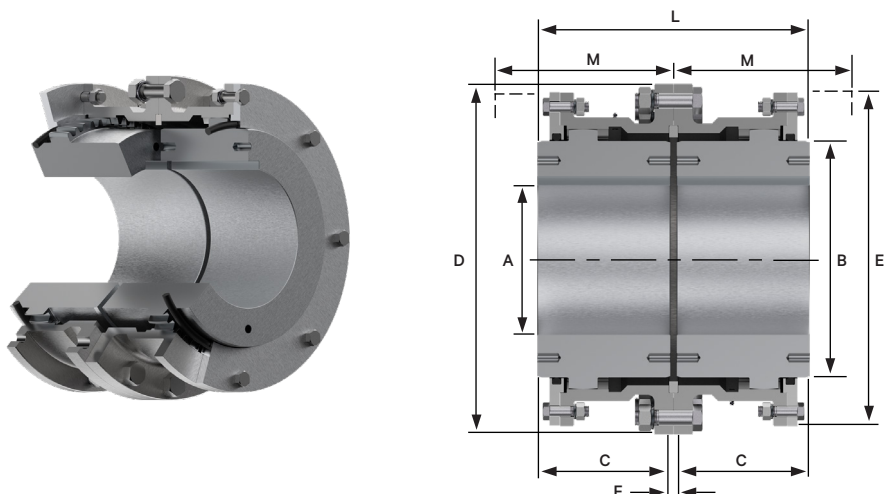
Size

Long hub versions available, contact Renold for details.
 Please refer to the Renold Couplings selection guide for keyway stress calculations.
 Renold can supply cardan shaft or flanged spacer assemblies. Critical speeds must be checked, please contact Renold.

* Maximum Bore - The maximum bores shown are absolute maximums. Under normal circumstances the boss to bore ratio should not be less than 1.5 for standard applications. Consult Renold for overbore approval.

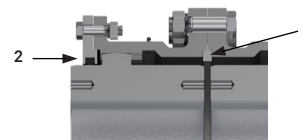
** Speed in excess of these shown may require additional balancing.

Gearflex heavy duty B series double engagement type HDB



Options

1. Loose spigot ring
2. Bolt on end plates



Coupling size	Power /100rpm kW	Torque nominal Nm	Speed max** rpm	Bore A		Dimensions								Max misalignment		Offset float mm
				Max* mm	Min mm	B mm	C mm	D mm	E mm	F mm	L mm	M mm	Mass kg	Offset mm	Angular deg	
GF8HDB	3101	296192	2000	275	115	360	203	533	508	10	416	232	448	3.6	0.75	15.8
GF9HDB	4261	406848	1900	305	140	400	228	584	559	12	468	261	609	4.2	0.75	19.1
GF10HDB	4771	455680	1800	360	140	470	254	660	628	12	520	293	871	4.8	0.75	19.1
GF11HDB	5845	558240	1600	370	150	483	280	711	680	12	572	318	1070	5.3	0.75	19.1
GF12HDB	7754	740480	1400	410	150	533	305	768	737	14	624	343	1391	5.7	0.75	19.1
GF14HDB	11570	1104960	1200	465	285	610	356	902	857	18	730	400	1767	6.9	0.75	19.1
GF16HDB	17893	1708800	1000	535	335	699	406	991	946	20	832	457	2560	8.4	0.75	19.1
GF18HDB	25650	2449600	700	605	360	787	457	1124	1073	25	939	520	3485	9.2	0.75	22.1
GF20HDB	36373	3473600	500	665	385	864	483	1230	1180	25	991	560	4463	9.6	0.75	22.1
GF22HDB	50094	4784000	400	720	410	940	483	1308	1257	25	991	560	5358	9.6	0.75	22.1
GF24HDB	59643	5696000	300	780	460	1016	483	1372	1321	25	991	560	6239	9.6	0.75	22.1
GF26HDB	79531	7595200	270	840	540	1092	559	1524	1486	28	1146	650	8985	10.6	0.75	22.1

Misalignment angle per half (degrees)	Rating factor
0.00	1.00
0.50	0.75
0.75	0.63

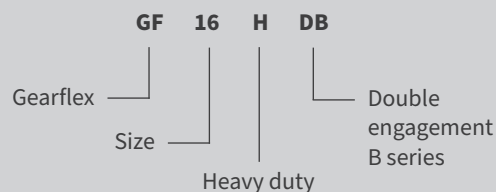
Catalogue ratings shown are nominal values at 0.00° misalignment.

To determine the rating at an expected angular misalignment, use the corresponding factor in the table and multiply.

Example:

GF20HDB at 0.00° = 3473600 Nm
 at 0.75° = 3473600 x 0.63 = 2188368 Nm

Ordering code

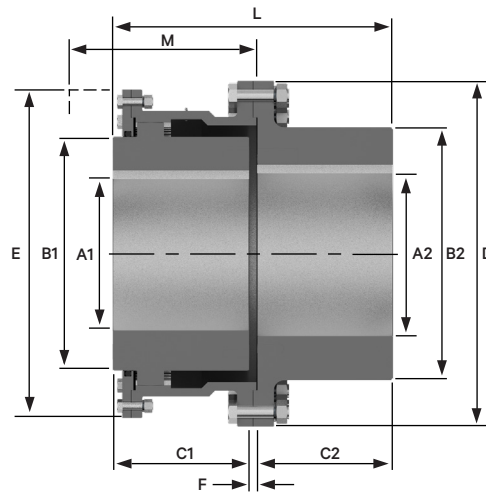
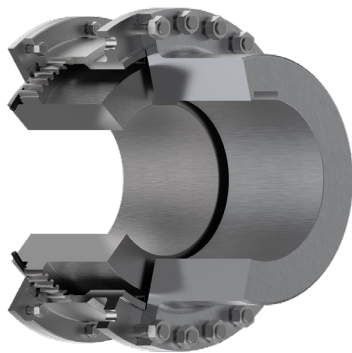


Long hub versions available, contact Renold for details.
 Please refer to the Renold Couplings selection guide for keyway stress calculations.

* Maximum Bore - The maximum bores shown are absolute maximums. Under normal circumstances the boss to bore ratio should not be less than 1.5 for standard applications. Consult Renold for overbore approval.

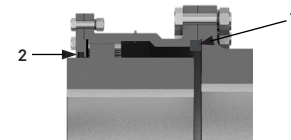
** Speed in excess of these shown may require additional balancing.

Gearflex heavy duty B series single engagement type HSB



Options

1. Loose spigot ring
2. Bolt on end plates



Coupling size	Power /100rpm kW	Torque nominal Nm	Speed max** rpm	Bore A1		Bore A2		Dimensions									Max angular misalignment deg	End float mm	
				Max* mm	Min mm	Max mm	Min mm	B1 mm	B2 mm	C1 mm	C2 mm	D mm	E mm	F mm	L mm	M mm			Mass kg
GF8HSB	3101	296192	2000	275	115	240	115	360	368	203	200	533	508	13	416	232	411	0.75	7.9
GF9HSB	4261	406848	1900	305	140	280	140	400	406	228	226	584	559	14	468	261	557	0.75	9.6
GF10HSB	4771	455680	1800	360	140	305	140	470	457	254	252	660	628	14	520	293	877	0.75	9.6
GF11HSB	5845	558240	1600	370	150	330	150	483	533	280	278	711	680	14	572	318	1051	0.75	9.6
GF12HSB	7754	740480	1400	410	150	356	150	533	584	305	302	768	737	16	623	343	1365	0.75	9.6
GF14HSB	11570	1104960	1200	465	285	430	190	610	660	356	354	902	857	21	731	400	1504	0.75	9.6
GF16HSB	17893	1708800	1000	535	335	480	215	699	711	406	405	991	946	21	832	458	2184	0.75	9.6
GF18HSB	25650	2449600	700	605	360	560	255	787	864	457	456	1124	1073	27	940	521	2947	0.75	11
GF20HSB	36373	3473600	500	665	385	610	280	864	940	483	481	1230	1181	27	991	560	3717	0.75	11
GF22HSB	50094	4784000	400	720	410	635	300	940	965	483	481	1308	1257	27	991	560	4436	0.75	11
GF24HSB	59643	5696000	300	780	460	660	330	1016	1016	483	481	1372	1321	27	991	560	5227	0.75	11
GF26HSB	79531	7595200	270	840	540	710	355	1092	1168	559	560	1524	1486	28	1147	650	7993	0.75	11

Misalignment angle per half (degrees)	Rating factor
0.00	1.00
0.50	0.75
0.75	0.63

Catalogue ratings shown are nominal values at 0.00° misalignment.

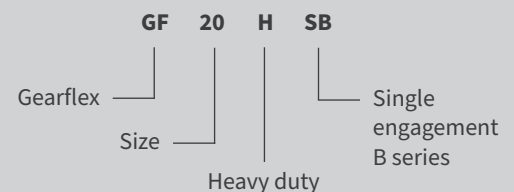
To determine the rating at an expected angular misalignment, use the corresponding factor in the table and multiply.

Example:

GF20HDB at 0.00° = 3473600 Nm

At 0.75° = 3473600 x 0.63 = 2188368 Nm

Ordering code



Long hub versions available, contact Renold for details.

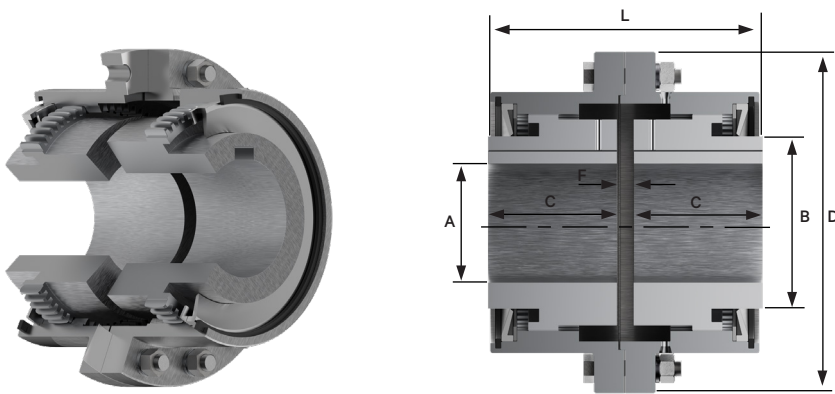
Please refer to the Renold Couplings selection guide for keyway stress calculations.

Renold can supply cardan shaft or torque tube assemblies. Critical speeds must be checked, please contact Renold.

* Maximum Bore - The maximum bores shown are absolute maximums. Under normal circumstances the boss to bore ratio should not be less than 1.5 for standard applications. Consult Renold for overbore approval.

** Speed in excess of these shown may require additional balancing.

Gearflex high misalignment D series double engagement type DD



D Series Double Engagement couplings accommodate offset, angular or combined misalignment.

Universally used for connecting industrial applications that are subject to higher than standard misalignment of the Gearflex DA, such as oil field equipment and rolling mill drives.

Induction hardened gear teeth and lip type seals handle up to 6° of misalignment.

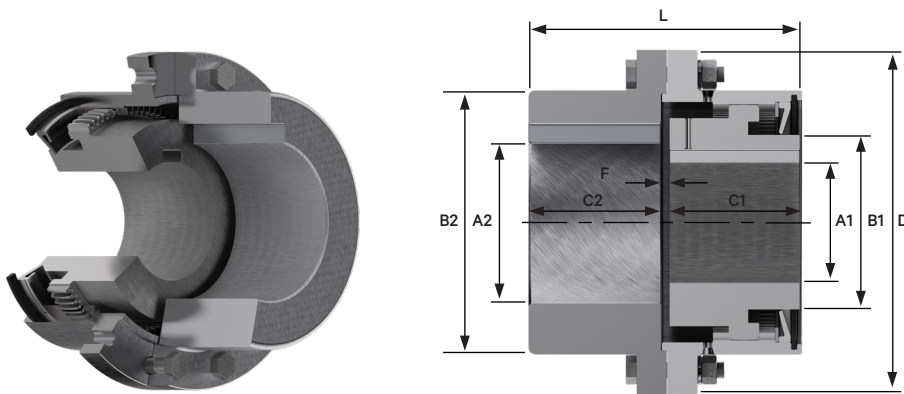
Coupling size	Torque nominal Nm	Bore A max* mm	Dimensions								Mass kg	WR ² kg m ²	Offset (parallel) misalignment at		
			B at 3.5° mm	B at 6° mm	C at 3.5° mm	C at 6° mm	D mm	F at 3.5° mm	F at 6° mm	L at 3.5° mm			L at 6° mm	3.5° mm	6° mm
GF 100DD		27	44		36		89	5		76		1.9	0.002	2.34	
GF 150DD		41	58	58	56	52.3	152	6	9.5	118	115	8.2	0.018	4.06	6.68
GF 200DD		54	73	73	70	65	176	8	13	148	148	12.2	0.037	5.13	8.33
GF 250DD	See table on page 12	67	94	92	78	73	203	10	14	165	160	22.7	0.074	5.79	9.50
GF 300DD		80	111	109	93	87	229	11	17	197	192	30.5	0.143	6.96	11.40
GF 350DD		92	127	125	99	94	272	13	18	211	205	47.3	0.325	7.82	12.70
GF 400DD		105	143	140	113	106	295	14	21	240	233	65	0.503	8.61	14.00
GF 450DD		118	164	162	122	114	324	16	24	260	252	87.7	0.808	9.50	15.34
GF 500DD		134	189	186	135	127	375	16	24	286	278	134	2.209	10.44	16.99
GF 550DD		152	219	214	152	145	416	21	28	325	318	185	2.9	12.40	19.84
GF 600DD		171	235	232	178	168	457	22	32	378	368	249	4.214	13.94	22.66
GF 700DD		197	279	273	203	194	518	27	35	433	422	374	8.545	15.60	25.17

Ordering code



*Maximum Bore - The maximum bores shown are absolute maximums.
 Under normal circumstances the boss to bore ratio should not be less than 1.5 for standard applications.
 Consult Renold for overbore approval.
 Max speed dependent on misalignment requirement, please consult Renold.
 Specify misalignment angle $\pm 3.5^\circ$ or $\pm 6^\circ$.
 Gear Teeth are induction hardened.
 Shrouded bolt flanges available if required.

Gearflex high Misalignment D series Single Engagement type SD



D Series Single Engagement couplings are commonly used in pairs with a floating shaft to connect widely separated equipment, accommodating offset, angular or combined misalignment. Universally used for pinch roll, shear drives and tension bridles on auxiliary rolling mill equipment.

Coupling size	Torque nominal Nm	Bore		Dimensions										Mass kg	WR ² kg m ²	Offset (parallel) Misalignment at			
		A1 Max* mm	A2 Max* mm	B1 at 3.5° mm	B1 at 6° mm	B2 mm	C1 at 3.5° mm	C1 at 6° mm	C2 mm	D mm	F at 3.5° mm	F at 6° mm	L at 3.5° mm			L at 6° mm	3.5° mm	6° mm	
GF 100SD		27	43	44		64	36		35	89	5			76		2.27	0.002	2.34	
GF 150SD		41	70	58	58	100	56	52.3	58	152	6	9.5	118	115	9.91	0.19	4.06	6.68	
GF 200SD		54	83	73	73	121	70	65	71	176	8	13	148	148	14.5	0.058	5.13	8.33	
GF 250SD		67	96	94	92	140	78	73	78	203	10	14	165	160	24.1	0.098	5.79	9.50	
GF 300SD		79	116	111	109	165	93	87	94	229	11	17	197	192	35	0.162	6.96	11.40	
GF 350SD	See table on page 12	92	135	127	125	194	99	94	103	272	13	18	211	205	53.6	0.351	7.82	12.70	
GF 400SD		105	153	143	140	221	113	106	115	295	14	21	240	233	72.7	0.579	8.61	14.00	
GF 450SD		118	165	164	162	248	122	114	125	324	16	24	260	252	96.8	0.878	9.50	15.34	
GF 500SD		133	190	189	186	276	135	127	137	375	16	24	286	278	146.4	2.119	10.44	16.99	
GF 550SD		152	215	219	214	314	152	145	160	416	21	28	325	318	206.8	3.248	12.40	19.84	
GF 600SD		171	241	235	232	349	178	168	184	457	22	32	378	368	274.5	4.887	13.94	22.66	
GF 700SD		197	225	279	273	403	203	194	216	518	27	35	433	422	422.7	9.716	15.60	25.17	

Ordering code



* Maximum Bore - The maximum bores shown are absolute maximums. Under normal circumstances the boss to bore ratio should not be less than 1.5 for standard applications. Consult Renold for overbore approval.

Specify misalignment angle $\pm 3.5^\circ$ or $\pm 6^\circ$.

Gear Teeth are induction hardened.

Shrouded bolt flanges available if required.

Offset capacity is dependant on shaft length, please consult Renold for max permissible speeds.



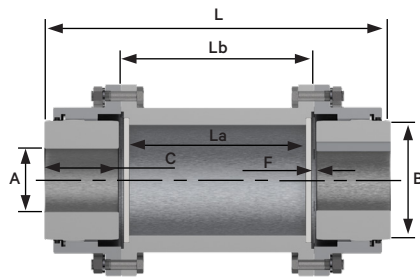
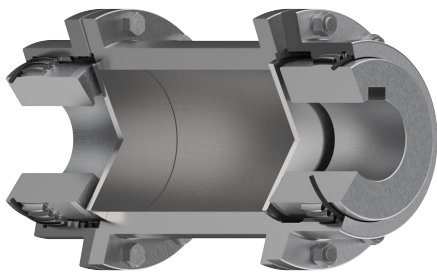
Gearflex High Misalignment D series

Gearflex D Series Gear Tooth Ratings – Nm*

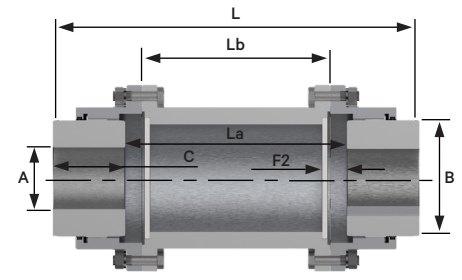
Maximum misalignment	±3.5° per gear mesh			±6° per gear mesh					
Operating angle	1°	2°	3°	1°	2°	3°	4°	5°	6°
100	847	599	429						
150	2706	1853	1300	1684	1198	847	599	441	294
200	4102	2927	2056	2667	1898	1333	949	712	475
250	9605	6859	4814	5446	3887	2723	1944	1446	972
300	14237	10169	7141	8056	5763	4045	2881	2147	1435
350	24237	17322	12158	13774	9853	6915	4915	3684	2463
400	32373	23130	16237	18395	13141	9232	6576	4915	3288
450	58452	41763	29322	35379	25277	17751	12633	9446	6316
500	73198	52294	36723	44305	31650	22226	15819	11830	7910
550	96633	69040	48475	58486	33480	29333	20881	15616	10441
600	154972	110734	77751	94169	67288	47243	33627	25152	16814
700	210938	150712	105830	128181	91593	64305	45774	34237	22893

* Remember to apply appropriate service factors.

Gearflex A series double engagement flanged spacer type DAFS



Type A



Type B (Hubs reversed)

Coupling size	Power /100rpm kW	Torque nominal Nm	Speed max** rpm	Bore A1		Dimensions								
				Max* mm	Min mm	B mm	C mm	D mm	F mm	F2 mm	La mm	Lb mm	Lb min mm	
GF10DAFS	29.8	2846		46	14	60	43	116	1.5	3				75
GF15DAFS	56.4	5386		57	20	76	49	152	1.5	6.5				85
GF20DAFS	96	9168		78	27	102	62	178	1.5	12.5				95
GF25DAFS	155.2	14822		90	27	117	77	213	2.5	9.5				110
GF30DAFS	256	24448		110	39	143	91	240	2.5	21				110
GF35DAFS	392	37436	**	127	39	165	106	279	3	24	***	***		125
GF40DAFS	624	59592		145	55	191	121	318	3	28.5				125
GF45DAFS	862	82322		165	55	216	135	346	4	32.5				125
GF50DAFS	1156	110398		185	55	241	153	389	4	46				145
GF55DAFS	1714	163688		205	55	267	175	425	4	49				145
GF60DAFS	2192	209336		225	55	292	188	457	4	55.5				145
GF70DAFS	3280	313240		260	55	343	221	527	4.5	66.5				145

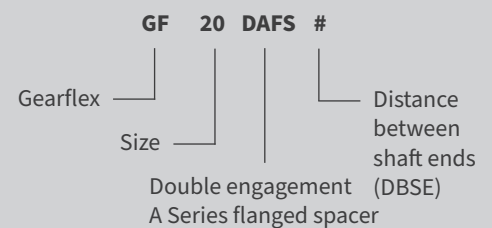
Misalignment angle per half (degrees)	Rating factor
0.00	1.00
0.50	0.78
0.75	0.65
1.00	0.58
1.50	0.50

Catalogue ratings shown are nominal values at 0.00° misalignment. To determine the rating at an expected angular misalignment, use the corresponding factor in the table and multiply.

Example:

GF60DA at 0.00° = 209336 Nm
 At 0.75° = 209336 x 0.65 = 136068 Nm

Ordering code



Long hub versions available. Contact Renold for details.
 Please refer to the Renold Couplings selection guide for keyway stress calculations.
 Renold can also supply cardan shaft assemblies.

* Maximum Bore - The maximum bores shown are absolute maximums. Under normal circumstances the boss to bore ratio should not be less than 1.5 for standard applications. Consult Renold for overbore approval.

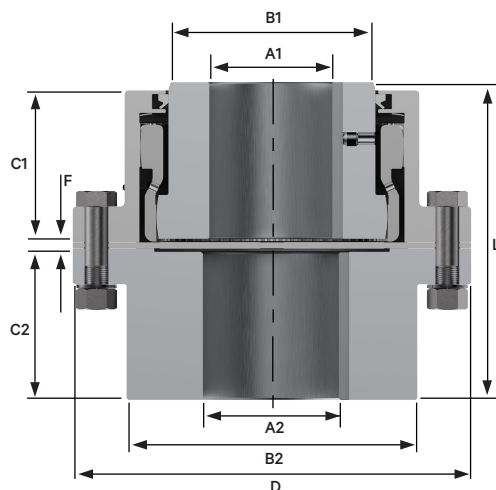
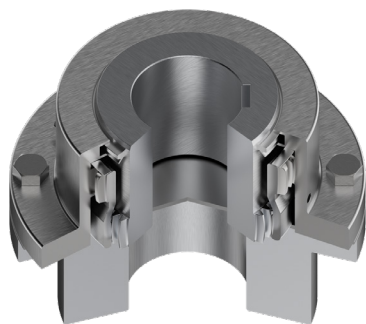
** Speed max rpm dependant on length of spacer, please consult Renold.

*** For all orders please state length of spacer and speed required.

Type A - $L_b = L_a - 2 \times F$

Type B - $L_b = L_a - 2 \times F_2$

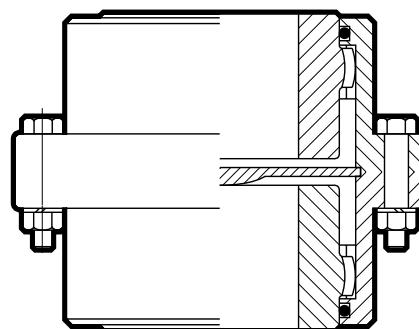
Gearflex Vertical Double Engagement type VA



A geared coupling designed specifically for vertical operation. The double-gear flex-half matches the angular misalignment and parallel offset capabilities of a double engagement Gearflex, whilst the ability to retain lubrication in the upper half of the coupling reduces maintenance intervals without the need for specialised seals.

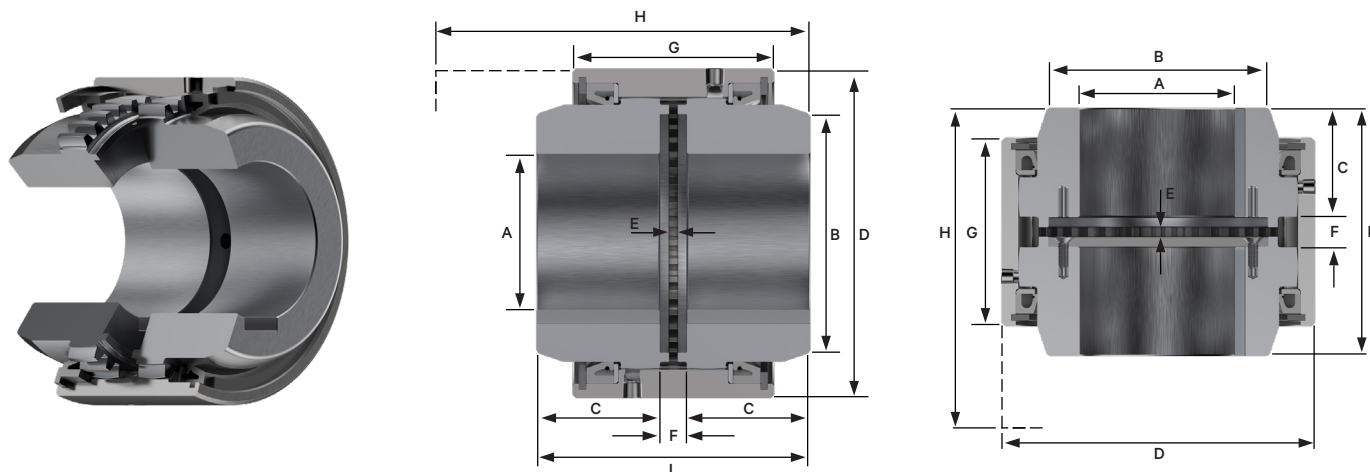
Coupling size	Power /100rpm kW	Torque nominal Nm	Speed max** rpm	Bore A1		Bore A2		Dimensions								Offset max mm	
				Max* mm	Min mm	Max mm	Min mm	B1 mm	B2 mm	C1 mm	C2 mm	D mm	F mm	L mm	Mass kg		WR ² kg m ²
GF15VA	29.8	2846	7100	46	14	75	20	60	98	49	47	152	8	104	9	0.019	0.8
GF20VA	56.4	5386	5400	57	20	95	27	76	124	62	60	178	8	130	17.5	0.044	1.0
GF25VA	96	9168	4800	78	27	110	27	102	148	77	75	213	9	161	30	0.107	1.2
GF30VA	155.2	14822	4250	90	27	130	39	117	173	91	89	240	10	190	40	0.200	1.4
GF35VA	256	24448	4000	110	39	155	39	143	201	106	104	279	12	222	64	0.446	1.7
GF40VA	392	37436	3600	127	39	180	55	165	233	121	116	318	13	250	94	0.842	2.0
GF45VA	624	59592	3290	145	55	200	55	191	262	135	130	346	17	282	128	1.350	2.3
GF50VA	862	82322	2920	165	55	225	55	216	294	153	148	389	17	318	187	2.800	2.6
GF55VA	1156	110398	2630	185	55	250	55	241	324	175	164	425	17	356	245	3.940	3.0
GF60VA	1714	163688	2320	205	55	265	55	267	349	188	182	457	20	390	300	5.130	3.4
GF70VA	2192	209336	2120	225	55	310	55	292	406	221	221	527	23	465	475	11.040	3.9

Ordering code



* Maximum Bore - The maximum bores shown are absolute maximums. Under normal circumstances the boss to bore ratio should not be less than 1.5 for standard applications. Consult Renold for overbore approval.
 ** Speed in excess of these shown may require additional balancing.

Gearflex high Speed double engagement type NTS



Reduced outer diameter to allow for higher operating speeds. Can also be used at lower speeds if a small space envelope is needed.

Coupling size	Power /100rpm kW	Torque nominal Nm	Speed max** rpm	Bore A		Dimensions									Offset max mm	End float mm
				Max* mm	Min mm	B mm	C mm	D mm	E mm	F mm	G mm	H mm	L mm	Mass kg		
GF10NTS #	14	1336	10000	24	10	36	43	67	3	9	70	126	95	1.8	0.18	1.5
GF11NTS #	20	1910	10000	30	12	46	43	79	3	9	70	126	95	2.7	0.18	1.5
GF12NTS #	32	3056	10000	40	12	58	44	92	3	9	73	130	97	3.6	0.18	1.5
GF15NTS #	40	3820	10000	40	13	65	49	98	3	9	76	139	107	4.5	0.20	1.5
GF20NTS #	74	7124	10000	55	18	82	56	121	3	11	92	162	123	7.7	0.20	1.5
GF25NTS #	128	12224	10000	70	18	107	59	146	6	18	105	186	136	13	0.23	1.5
GF30NTS #	200	19100	8500	80	30	127	67	171	6	18	114	204	152	20	0.33	3
GF35NTS #	326	31140	7250	100	38	154	70	200	6	18	121	213	158	30	0.36	3
GF40NTS #	466	44500	6400	115	60	178	86	229	6	18	140	248	190	42	0.38	3
GF45NTS #	684	65320	5700	125	72	203	89	260	6	18	146	258	196	58	0.41	3
GF50NTS #	856	81740	5200	145	85	225	99	283	6	18	152	273	216	74	0.43	3
GF60NTS #	1734	165600	4500	165	85	263	114	324	6	18	184	321	246	120	0.46	3
GF65NTS #	2180	208446	4200	180	85	285	114	349	6	18	184	321	246	130	0.48	3
GF70NTS #	2510	240000	3900	190	85	304	124	375	6	18	191	337	266	175	0.48	3

Misalignment angle per half (degrees)	Rating factor
0.00	1.00
0.50	0.78
0.75	0.65
1.00	0.58
1.50	0.50

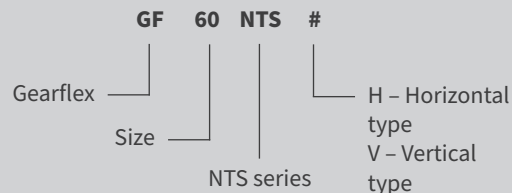
Catalogue ratings shown are nominal values at 0.00° misalignment.

To determine the rating at an expected angular misalignment, use the corresponding factor in the table and multiply.

Example:

GF50NTS at 0.00° = 81740 Nm
At 0.75° = 81740 x 0.65 = 53131 Nm

Ordering code



* Maximum Bore - The maximum bores shown are absolute maximums. Under normal circumstances the boss to bore ratio should not be less than 1.5 for standard applications. Consult Renold for overbore approval.
** Speed in excess of these shown may require additional balancing.

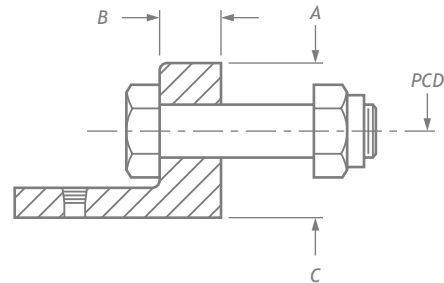
Gearflex Interchange Information

Interchangeability to AGMA Standard

Manufacturer	Coupling range	AGMA standard	Coupling sizes											
			10	15	20	25	30	35	40	45	50	55	60	70
Renold	Gearflex DA	Yes	10	15	20	25	30	35	40	45	50	55	60	70
Falk/Rexnord	Lifelign G20	Yes	1010G	1015G	1020G	1025G	1030G	1035G	1040G	1045G	1050G	1055G	1060G	1070G
Flender	Zapex ZIN	Yes	1	1.5	2	2.5	3	3.5	4	4.5	5	5.5	6	7
Bibby	FD AGMA	Yes	10	15	20	25	30	35	40	45	50	55	60	70
David Brown	Series X G20	Yes	1010G	1015G	1020G	1025G	1030G	1035G	1040G	1045G	1050G	1055G	1060G	1070G
Maina	AGMA N	Yes	1	1.5	2	2.5	3	3.5	4	4.5	5	5.5	6	7
Maina	GO-A	No	0	1	2	3	4	5	6	7	8	9	10	11
Kopflex	Series H	Yes	1	1½	2	2½	3	3½	4	4½	5	5½	6	7
Jaure	MT	No	52	62	78	98	112	132	156	174	190	210	233	275
Lovejoy/Sier Bath		Yes	1	1½	2	2½	3	3½	4	4½	5	5½	6	7
Esco	FST	No	45	60	75	95	110	130	155	175	195	215	240	275
CMD	Senior	No	50	68	80	100	115	135	150	170	190	215	230	250
Renk	LBk	No	32 or 38	48	60	70 or 80	90	110	125	140	160	180 or 190	200	225

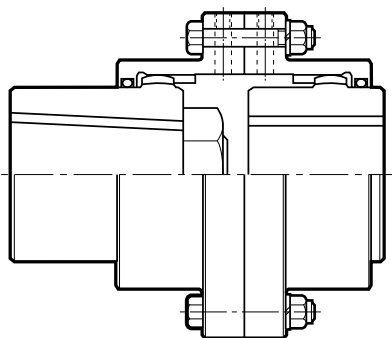
Coupling size	No of bolts	Bolts size inch	PCD mm	Outer dia (A) mm	Flange thickness (B) mm	Inner dia (C) mm
GF10	6	0.250"	95.25	116	14.3	70
GF15	8	0.375"	122.24	152	19	87
GF20	6	0.500"	149.23	178	19	113
GF25	6	0.625"	180.98	213	22.2	133
GF30	8	0.625	206.38	240	22.2	159
GF35	8	0.750"	241.3	279	28.6	186
GF40	8	0.750"	279.4	318	28.6	211
GF45	10	0.750"	304.8	346	28.6	240
GF50	8	0.875"	368.3	425	38.1	298
GF55	14	0.875"	400.05	457	25.4	327
GF60	14	0.875"	463.55	527	28.6	378

AGMA flange details - common dimensions

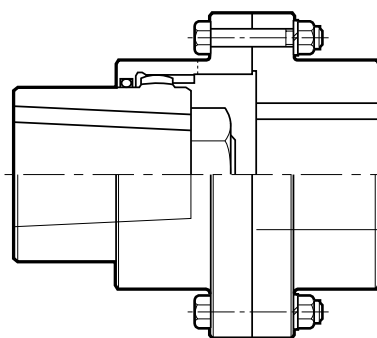


Adapted and custom gear couplings

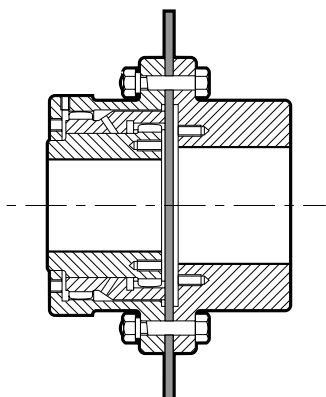
Mill motor gear



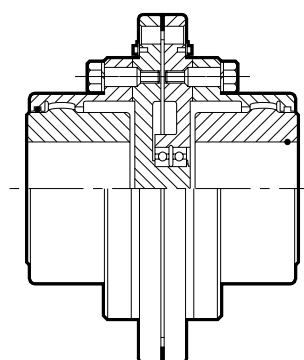
Mill motor gear



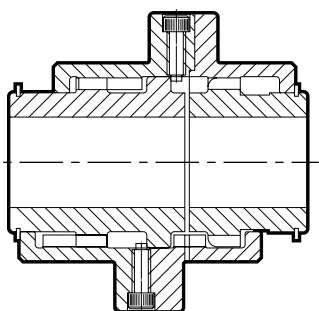
Disk brake gear coupling



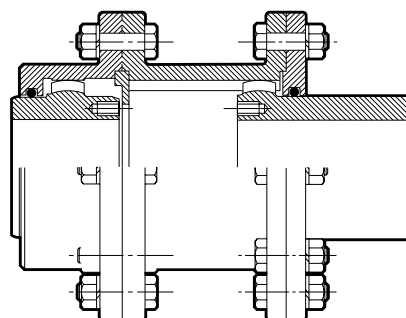
Shear pin gear coupling



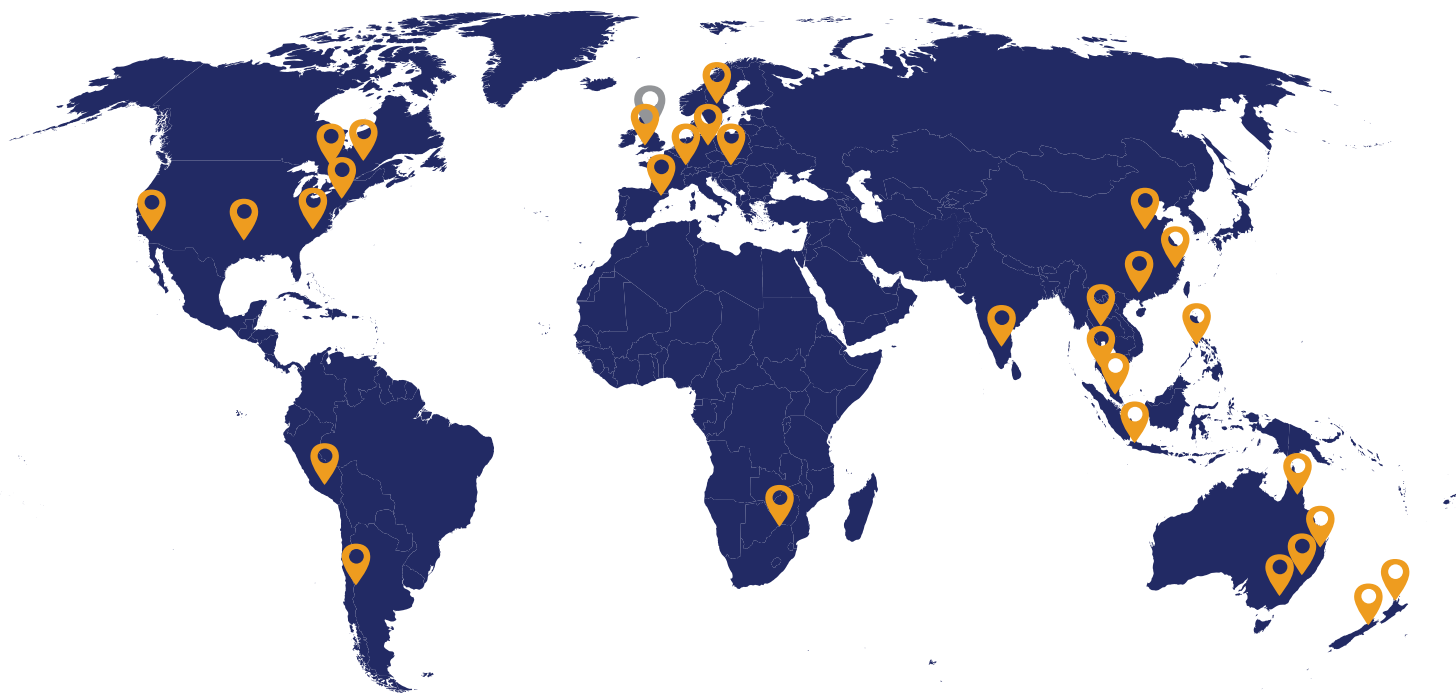
**Disengaging type gear coupling
- standard series**



**Telescopic type gear coupling
- standard series**



Global services



 **Head office**  **Renold locations**

Terms and Conditions

- In the interests of safety, customers are reminded that when purchasing any technical product for use at work (or otherwise), any additional or up-to-date information and guidance, which it has not been possible to include in the publication, should be obtained by you from your local sales office in relation to the suitability and the safe and proper use of the product. All relevant information and guidance must be passed on by you to the person engaged in, or likely to be affected by or responsible for the use of the product.
- The performance levels and tolerances of our product stated in this catalogue (including without limitation, serviceability, wearlife, resistance to fatigue, corrosion protection) have been verified in a programme of testing and quality control in accordance with Renold, independent and/or international standard recommendations. No representations or warranties are given that our product shall meet the stated performance levels or tolerances for any given application outside the performance levels and tolerances for the product's own specific application and environment and the information contained in this document will not form part of the contractual description of the product nor will it form part of any contract between Renold and the customer.
- Whilst all reasonable care in compiling the information contained in this catalogue is taken, no responsibility is accepted for omissions or errors.
- All information contained in this catalogue is subject to change without notice.
- The illustrations used in this catalogue represent the type of product described but the goods supplied may vary in some detail from those illustrated.
- The right is reserved to make modifications to the product to meet manufacturing conditions and/or developments (for example in design or materials).
- Product is supplied by Renold companies or representatives around the world on the standard terms and conditions of sale of the company or representative from which the product is purchased.
- Copyright Renold Power Transmission Limited 2001. All rights reserved.
- Under no circumstances will the information in this catalogue constitute an offer to sell the product.

Get in touch

For your local Renold
sales and service location

+44 (0) 29 2079 2737



cardiff.sales@renold.com



www.renold.com



Wentloog Corporate Park
Newlands Road, Cardiff
CF3 2EU

